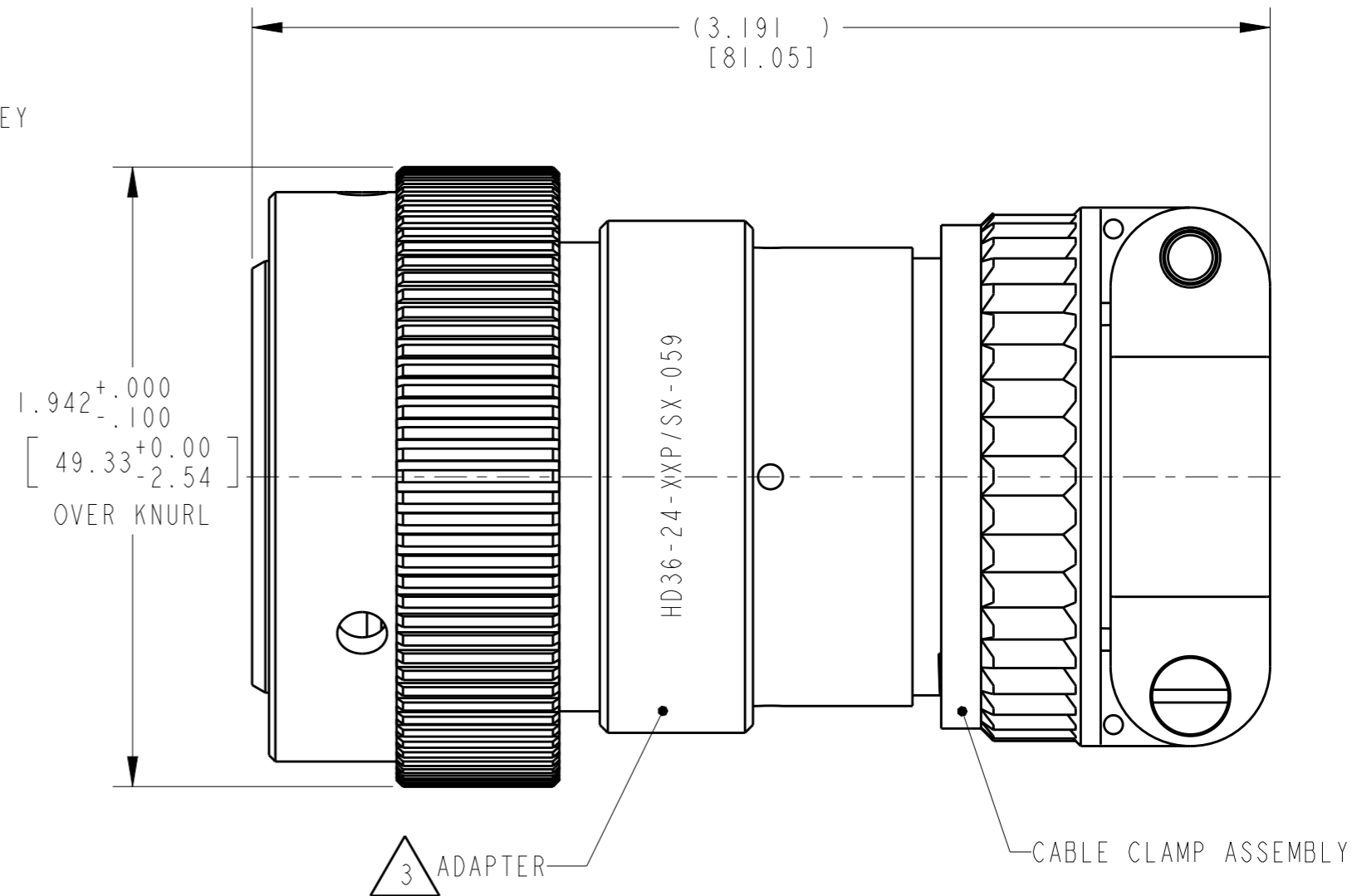
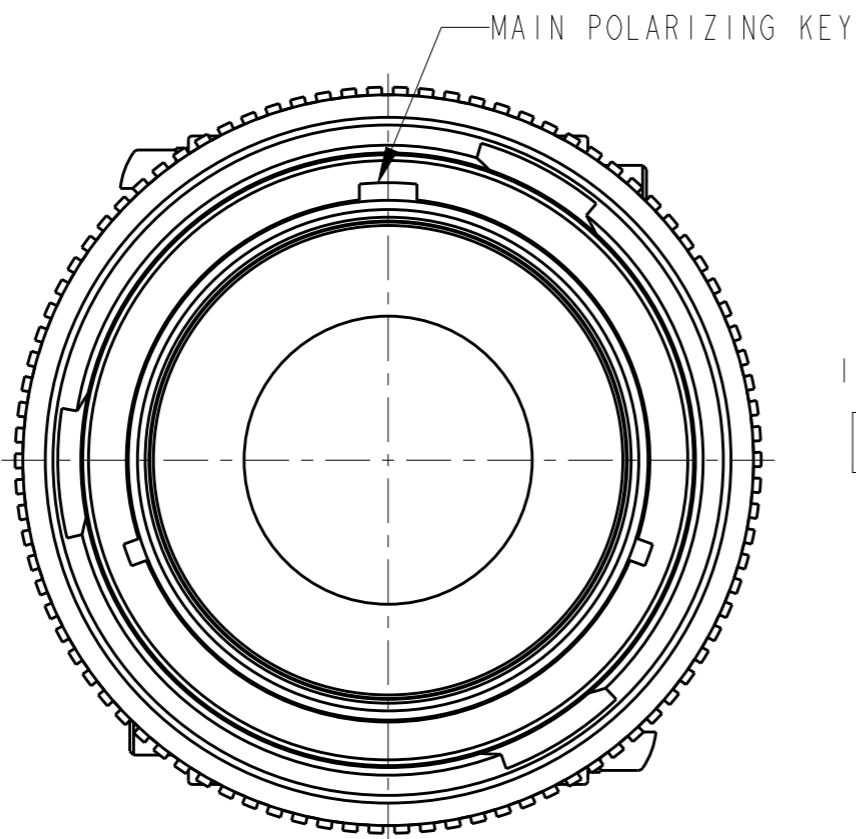


THIS DRAWING IS UNPUBLISHED
 RELEASED FOR PUBLICATION 2015
 ALL RIGHTS RESERVED.

LOC	DIST	REVISIONS			
P	LTR	DESCRIPTION	DATE	DWN	APVD
-	-	A	REVISED PER E.O. P18556	03MAY2004	- RDR
		B	REVISED PER E.O. P19124	28DEC2005	- RDR
		C	REVISED PER E.O. P21009	19JUL2011	- RDR
		CI	REVISED PER ECO-15-001798	19MAR2015	PV RDR



3D VIEW



3. MATERIAL:
 ADAPTER: AL 6000 SERIES

2. THE CONNECTOR MATES WITH HD34-24-XXS/PX-XXXX
 X = SEAL DESIGNATION, XX = NUMBER OF CAVITIES,
 XXXX = MODIFICATION DESIGNATION.

1. SEE DRAWING 0425-014-2400 FOR ARRANGEMENT OF CONTACT LOCATION

NOTES:

THIS DRAWING IS A CONTROLLED DOCUMENT.		DWN X. SANCHEZ 17APR2003				
DIMENSIONS: INCHES [mm]		CHK J. APOSTOL 13MAY2003				
TOLERANCES UNLESS OTHERWISE SPECIFIED:		APVD R. REED 16MAY2003	NAME PLUG CONNECTOR, SHELL SIZE 24 BAYONET COUPLING, MOD -059 HD30 SERIES			
		PRODUCT SPEC 0425-016-0000	SIZE A3	CAGE CODE -	DRAWING NO HD36-24-XXP/SX-059	RESTRICTED TO -
0 PLC ±- 1 PLC ±- 2 PLC ±- 3 PLC ±.01 [±0.254] 4 PLC ±- ANGLES ±° 30' 0"		APPLICATION SPEC 0425-015-0000	SCALE 2:1		SHEET 1	OF 1
MATERIAL SEE NOTE		WEIGHT -	REV CI		Customer Drawing	